

# FS6-100 SPECIFICATIONS

The FS6 is a versatile force transducer, offering accurate measurement of forces and moments in one of our most compact sensor designs. The body of the load cell is manufactured from a high-strength aluminum alloy with a durable anodized finish. Both its top and bottom surfaces are equipped with threaded holes for mounting.



Units:  Capacity:

<b>Dimensions(LxDia)</b>	64 x 38 mm	<b>IP Rating</b>	IP50
<b>Weight</b>	0.1 kg	<b>Sensing elements</b>	Strain gage bridge
<b>Channels</b>	Fx, Fy, Fz, Mx, My, Mz	<b>Amplifier</b>	Required
<b>Body Material</b>	Aluminum	<b>Analog outputs</b>	Six channels
<b>Temperature range</b>	-17.78 to 51.67°C	<b>Digital outputs</b>	None
<b>Excitation</b>	10V maximum	<b>Crosstalk</b>	< 2% on all channels
<b>Fx, Fy, Fz hysteresis</b>	± 0.2% full scale output	<b>Fx, Fy, Fz non-linearity</b>	± 0.2% full scale output

Channel	Fx	Fy	Fz	Units	Mx	My	Mz	Units
Capacity	222	222	445	N	11	11	5.6	N-m
Sensitivity	5.4	5.4	1.35	µv/v-N	266	266	213	µv/v-N-m
Natural frequency	-	-	-	Hz	-	-	-	Hz
Stiffness (X 105)	21.04	21.04	298	N/m	-	-	0.0226	N-m/rad
Resolution	To determine the resolution of your system, please use our <a href="#">Output Calculator</a> .							

Published specifications subject to change without notice.

Last modified:2016-08-23

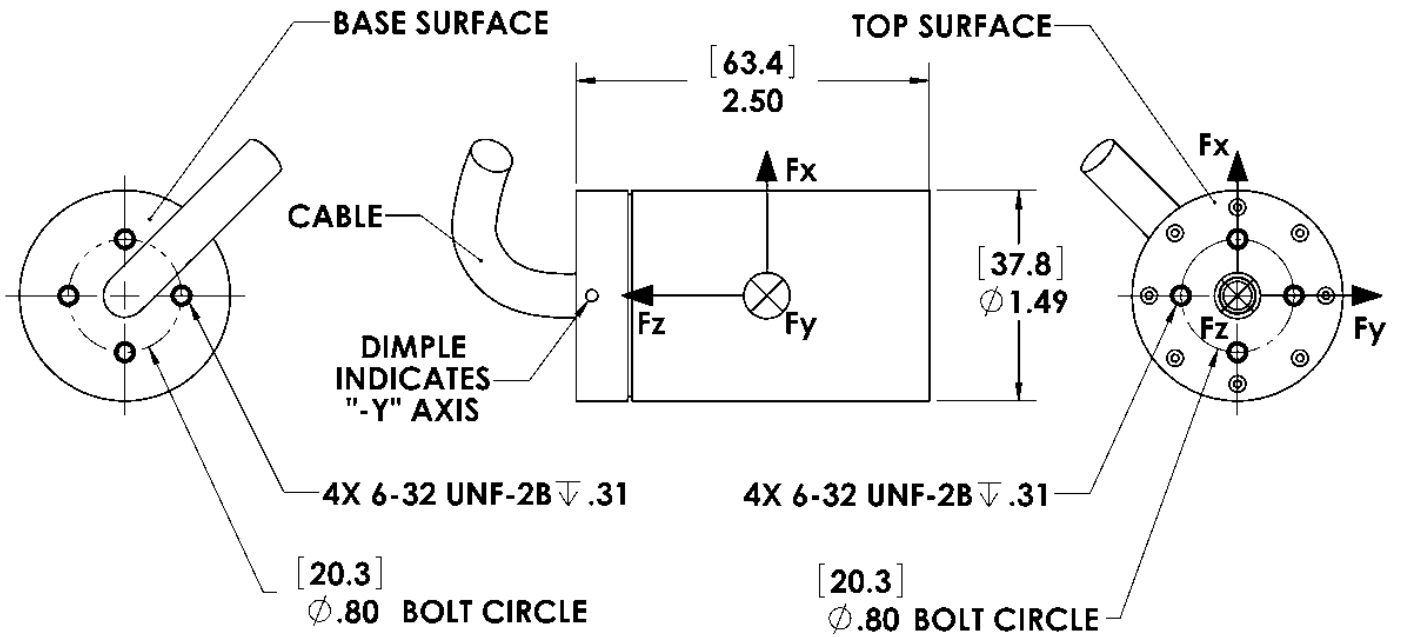
## TECHNICAL DRAWINGS

Footprint Drawing (click on image to enlarge)

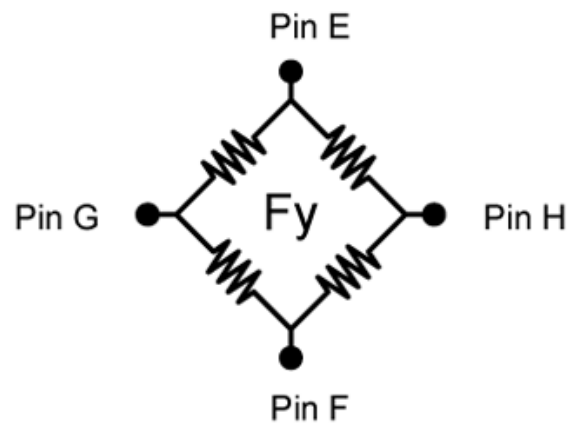
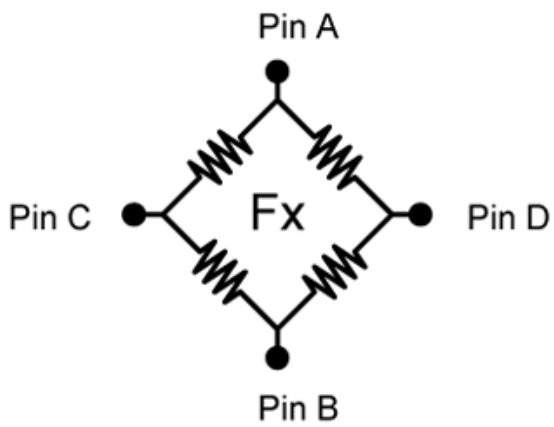
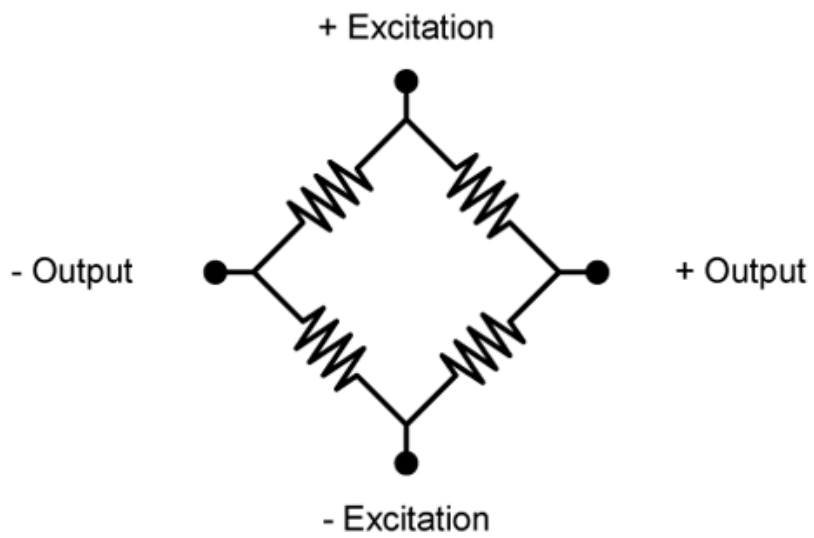
Electrical Drawing (click on image to enlarge)

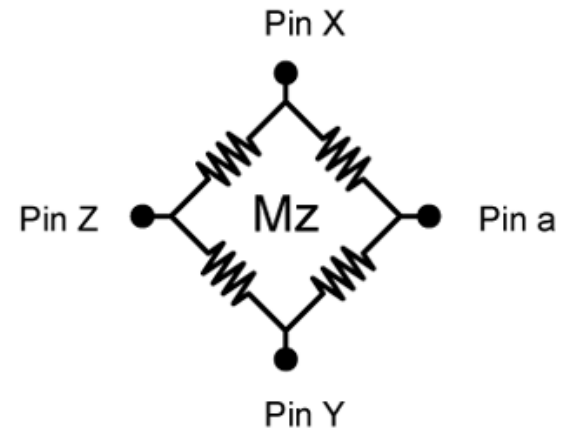
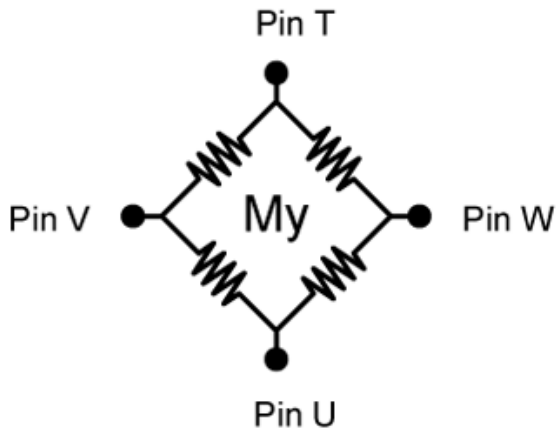
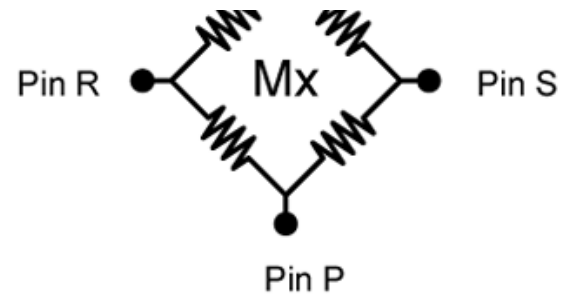
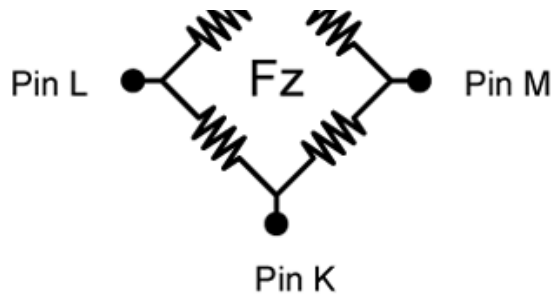
TECHNICAL DRAWING

Footprint Drawing



Electrical Drawing





Bridge Fz = 700 ohms  
 Bridges Fx; Fy; Mx; My; Mz = 350 ohms  
**Connector Type:**  
 Souriau 851-02E16-26P50-44